

Prosthetic Solutions

Catalog



 **BIOHORIZONS**[®]

BIOHORIZONS®



why choose BioHorizons prosthetics?

Using authentic BioHorizons parts will ensure a precision fit connection between the prosthetic component and implant, avoiding costly component failures that may occur from using third-party prosthetics. Authentic BioHorizons parts are color-coded for easy identification to match the mating implant.

authentic connection

advantages:

- lifetime warranty on all implants & prosthetics
- Spirallock® technology minimizes screw loosening
- precise mating geometries reduce prosthetic failures
- advanced design creates a better engineered connection
- color-coded prosthetic components match implant platforms

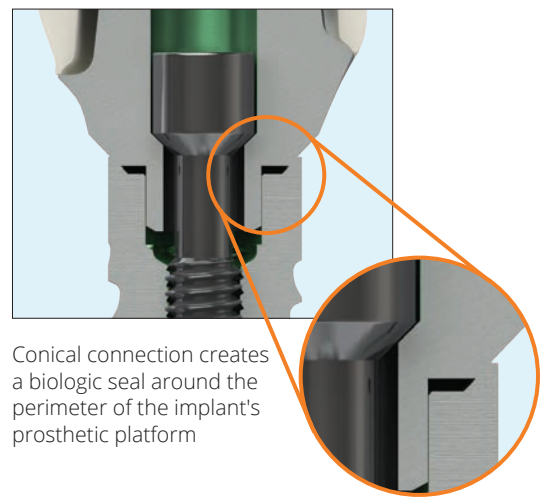


Look for this symbol from
labs who use authentic
BioHorizons parts.

For more information, visit us at
www.biohorizons.com/authentic.aspx

engineering better prosthetics

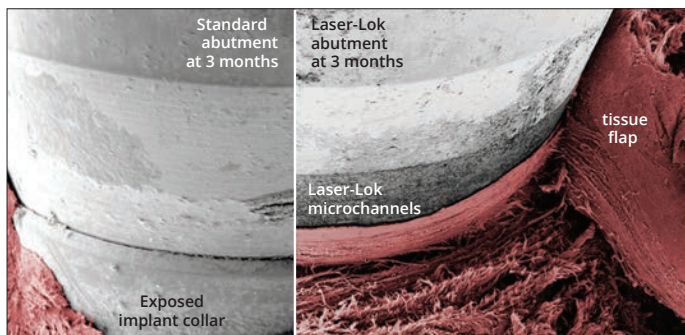
BioHorizons prosthetics are engineered and manufactured to seat precisely every time. The conical connection includes a small space between the components to guarantee contact of the abutment and implant around the entire perimeter of the prosthetic platform. This design creates a biologic seal and achieves optimal stress transmission, that protects the abutment screw from fracture and loosening.



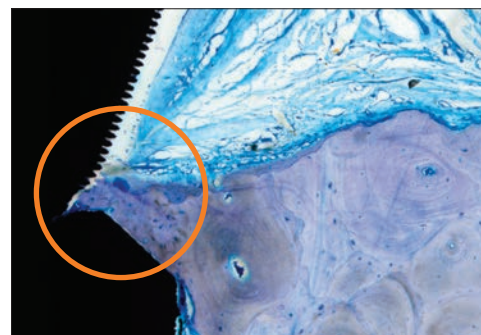
Conical connection creates a biologic seal around the perimeter of the implant's prosthetic platform

Laser-Lok[®] technology

Laser-Lok microchannels is a proprietary surface treatment developed from over 25 years of research initiated to create the optimal implant surface. The establishment of a physical, connective tissue attachment to the Laser-Lok surface has generated an entirely new area of research and development: Laser-Lok applied to abutments. Through this research, the unique Laser-Lok surface has been shown to elicit a biologic response that includes the inhibition of epithelial downgrowth and the attachment of connective tissue.¹⁻⁹ Laser-Lok abutments can support peri-implant health around implants without Laser-Lok. Multiple pre-clinical and clinical studies support both of these concepts.⁴⁻⁹



Comparative SEM images show the variation in tissue attachment strength on standard and Laser-Lok abutments when a tissue flap is incised vertically and manually lifted using forceps.⁵



Histology of a Laser-Lok abutment on an RBT implant with a machined collar showing exceptional bone growth at 3 months.⁵



interactive prosthetic technique manual



The prosthetic technique manual provides fully illustrated step-by-step instruction for the use of BioHorizons prosthetics. The manual is intended to educate both clinicians and labs about the prosthetic options available. It is separated into technique modules that are updated frequently to describe the most current protocols used in implant dentistry.

The PDF versions of these modules are further enhanced by new animated sequences of the procedures providing multiple methods of learning the content.

The manual and animations are available online at www.biohorizons.com/prosthetic-techniques.aspx or on the BioHorizons app in the Prosthetics section.



This icon indicates a step-by-step technique module is available.





Table of contents

healing abutments	5
temporary abutments	6-7
impression components	8-9
custom & CAD/CAM abutments	10-13
multi-unit abutments & components	14-18
esthetic & cementable abutments	19-20
OD Secure abutments & components	21-22
Locator abutments & components	23-24
Locator R-Tx abutments & components	25
ball abutments & components	26-27
prosthetic instrumentation	28-29
prosthetic platform identification	30
support materials & references	31
ordering & warranty information	32

Healing Abutments

Laser-Lok Healing Abutments

	3mm height	5mm height	platform	abutment diameter
Narrow	PYNHA3L	PYNHA5L	3.5mm, Laser-Lok	4.0mm
	PGNHA3L	PGNHA5L	4.5mm, Laser-Lok	5.0mm
	PBNHA3L	PBNHA5L	5.7mm, Laser-Lok	6.0mm
Regular	TP3HA3L	TP3HA5L	3.0m, Laser-Lok	3.5mm
	PYRHA3L	PYRHA5L	3.5mm, Laser-Lok	4.5mm
	PGRHA3L	PGRHA5L	4.5mm, Laser-Lok	5.5mm
	PBRHA3L	PBRHA5L	5.7mm, Laser-Lok	6.5mm
Wide	TP3WHA3L	TP3WHA5L	3.0mm, Laser-Lok	4.0mm
	PYWHA3L	PYWHA5L	3.5mm, Laser-Lok	6.0mm
	PGWHA3L	PGWHA5L	4.5mm, Laser-Lok	7.0mm

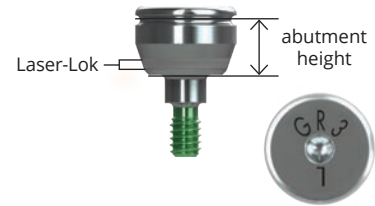
Hand-tighten with the .050" (1.25mm) Hex Driver. Titanium Alloy.

The 3.5mm, 4.5mm and 5.7mm healing abutments are laser marked for easy intraoral identification of the prosthetic platform, emergence and height:

Y = Yellow (3.5mm) platform
 G = Green (4.5mm) platform
 B = Blue (5.7mm) platform
 N, R or W = Narrow, Regular or Wide emergence
 3 or 5 = 3mm or 5mm abutment height
 L = Laser-Lok

3.0 healing abutments are not laser marked due to their small size.

Use Laser-Lok healing abutments when a Laser-Lok abutment restoration is planned to inhibit epithelial downgrowth, establish a soft tissue seal and protect the bone. When a Laser-Lok component is used and temporarily removed for impression making or other restorative procedures, keep the removed Laser-Lok component in sterile saline until reinserting into the site.



L02015-003 Handling of Laser-Lok abutments module

Standard Healing Abutments

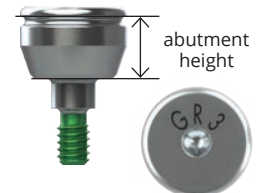
	1mm height	2mm height	3mm height	5mm height	platform	abutment diameter
Narrow	-	TP3NHA2	TP3NHA3	TP3NHA5	3.0mm	3.0mm
	PYNHA1	PYNHA2	PYNHA3	PYNHA5	3.5mm	4.0mm
	PGNHA1	PGNHA2	PGNHA3	PGNHA5	4.5mm	5.0mm
	PBNHA1	PBNHA2	PBNHA3	PBNHA5	5.7mm	6.0mm
Regular	-	TP3HA2	TP3HA3	TP3HA5	3.0mm	3.5mm
	-	PYRHA2	PYRHA3	PYRHA5	3.5mm	4.5mm
	-	PGRHA2	PGRHA3	PGRHA5	4.5mm	5.5mm
	-	PBRHA2	PBRHA3	PBRHA5	5.7mm	6.5mm
Wide	-	-	TP3WHA3	TP3WHA5	3.0mm	4.0mm
	-	-	TP3EWA3	TP3EWA5	3.0mm (extra wide)	5.0mm
	-	-	PYWHA3	PYWHA5	3.5mm	6.0mm
	-	-	PGWHA3	PGWHA5	4.5mm	7.0mm
	-	-	PBWHA3	PBWHA5	5.7mm	8.0mm

Hand-tighten with the .050" (1.25mm) Hex Driver. Titanium Alloy.

The 3.5mm, 4.5mm and 5.7mm healing abutments are laser marked for easy intraoral identification of the prosthetic platform, emergence and height:

Y = Yellow (3.5mm) platform
 G = Green (4.5mm) platform
 B = Blue (5.7mm) platform
 N, R or W = Narrow, Regular or Wide emergence
 1, 2, 3 or 5 = 1mm, 2mm, 3mm or 5mm abutment height

3.0 healing abutments are not laser marked due to their small size.

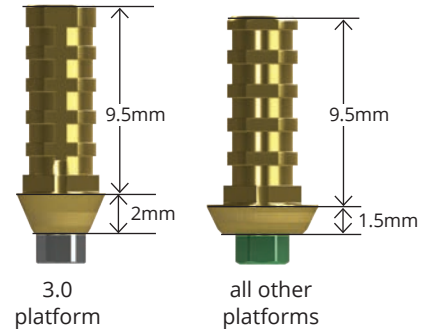


Temporary Abutments

Laser-Lok Easy Ti Abutments

hexed	non-hexed	platform
TP3ETHL	TP3ETNL	3.0mm
PYETHL	PYETNL	3.5mm
PGETHL	PGETNL	4.5mm
PBETHL	PBETNL	5.7mm

Use hexed for single-unit, screw retained, long term temporary restorations that require superior esthetics. Use non-hexed for multiple-unit, screw retained, long term temporary restorations. When a Laser-Lok component is used and temporarily removed for impression making or other restorative procedures, keep the removed Laser-Lok component in sterile saline until reinserting into the site. Packaged with an abutment screw (PXAS). Titanium Alloy for strength. TiN coated for esthetics. Final torque: 30Ncm.

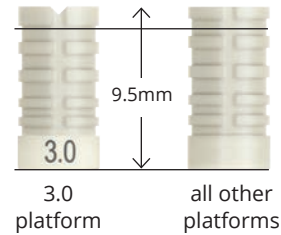


 [L02015-037](#) Screw-retained crown using the Laser-Lok Easy Ti abutment module

Easy Ti Abutment Sleeves

TP3ETPS	Pick-up Sleeve, 3.0mm (pack of 3)
PXETPS	Pick-up Sleeve (pack of 3)

Use for fabrication of cement-retained provisional restorations (up to 30 days). Packaged in packs of three. PEEK (PolyEtherEtherKetone) material.

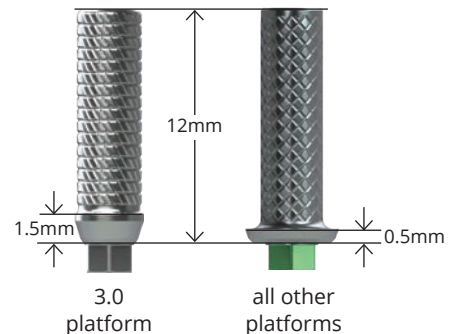


 [L02015-039](#) Cement-retained crown using the Laser-Lok Easy Ti abutment and PEEK plastic sleeves module

Titanium Temporary Abutments

hexed	non-hexed	platform
TP3TTH	TP3TTN	3.0mm
PYTTH	PYTTN	3.5mm
PGTTH	PGTTN	4.5mm
PBTTH	PBTTN	5.7mm

Use hexed for single-unit, screw-retained, long term temporary restorations (>30 days). Use non-hexed for multiple-unit, screw-retained, long term temporary restorations (>30 days). Packaged with an abutment screw (PXAS). Titanium Alloy. Final torque: 30Ncm.

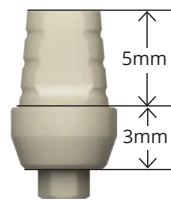


 [L02015-022](#) Screw-retained bridge using titanium temporary abutments module

Temporary Abutments

PEEK Temporary Abutments (Regular Emergence)

	platform
TP3TA	3.0mm
PYRTA	3.5mm
PGRTA	4.5mm
PBRTA	5.7mm



Use for fabrication of cement- or screw-retained provisional restorations (up to 30 days). A direct coping screw (PXDCS, purchased separately) may be used to maintain screw access hole during fabrication of screw-retained provisional prostheses. Packaged with an abutment screw (PXAS). PEEK (PolyEtherEtherKetone) material. Final torque: 30Ncm.

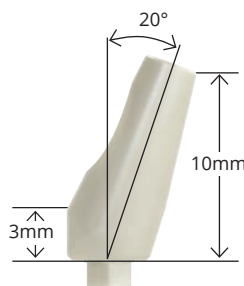


L02015-017 Cement-retained crown using the PEEK temporary abutment module

L02015-018 Screw-retained crown using the PEEK temporary abutment module

Angled PEEK Temporary Abutments (Regular Emergence)

	platform
TP3RATA	3.0mm
PYRATA	3.5mm
PGRATA	4.5mm



Use for fabrication of cement-retained provisional restorations (up to 30 days). Packaged with an abutment screw (PXAS). PEEK (PolyEtherEtherKetone) material. Final torque: 30Ncm.

PEEK Temporary Cylinder Abutments

hexed	non-hexed	platform
TP3PTC	TP3PTCN	3.0mm
PYPTC	PYPTCN	3.5mm
PGPTC	PGPTCN	4.5mm
PBPTC	PBPTCN	5.7mm



3.0 platform

all other platforms

Use for fabrication of cement- or screw-retained provisional restorations (up to 30 days). A direct coping screw (PXDCS, purchased separately) may be used to maintain screw access hole during fabrication of screw-retained provisional prostheses. Packaged with an abutment screw (PXAS). PEEK (PolyEtherEtherKetone) material. Final torque: 30Ncm.



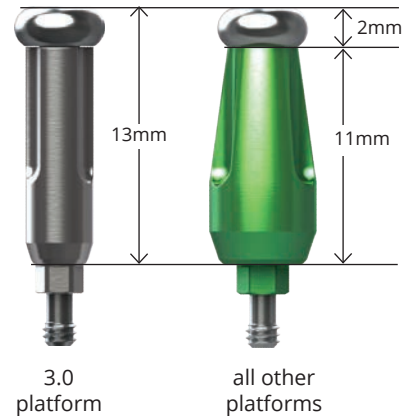
L02015-042 Screw-retained crown using the PEEK temporary cylinder abutment module

L02015-043 Custom healing abutment using the iShell and Peek temporary abutment module

Impression Components

Indirect Scoop Copings (Closed Tray)

		platform
Narrow	PYNISC	3.5mm
	PGNISC	4.5mm
	PBNISC	5.7mm
Regular	TP3ISC	3.0mm
	PYRISC	3.5mm
	PGRISC	4.5mm
Wide	PBRISC	5.7mm
	TP3WISC	3.0mm
	PYWISC	3.5mm
	PGWISC	4.5mm



Use to make a closed-tray, implant-level, hexed-timed impression.
Pre-assembled with a coping screw (PXSS). Titanium Alloy.

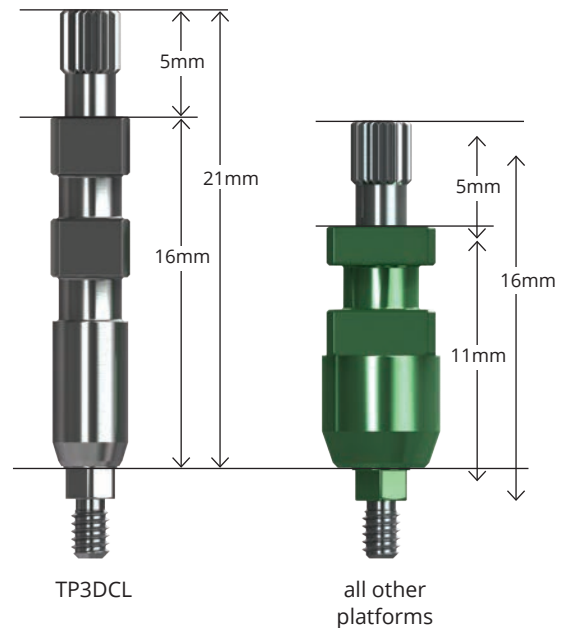


L02015-007 Closed tray technique using the indirect transfer coping module

L02015-008 Fabricating a custom impression coping using the closed tray technique module

Direct Pick-up Copings (Open Tray)

	hexed	non-hexed	platform
Narrow	PYND	PYNDN	3.5mm
	PGND	PGNDN	4.5mm
	PBND	PBNDN	5.7mm
Regular	TP3DC	TP3DCN	3.0mm
	TP3DCL		3.0mm, long
	PYRDC	-	3.5mm
	PGRDC	-	4.5mm
	PBRDC	-	5.7mm
Wide	PYWDC	-	3.5mm
	PGWDC	-	4.5mm



Use to make an open-tray, implant-level impression. Packaged with the direct coping screw, shallow hex (PXDCSS). Non-hexed versions may also be used to fabricate multiple-unit bars. Titanium Alloy. Hand-tighten.

Note: TP3DCL is packaged with the direct coping screw, long (PXDCSL).



L02015-005 Open tray technique using the direct pick-up coping module

L02015-006 Fabricating a custom impression coping using the open tray technique module

Implant Analogs

	platform
TP3IA	3.0mm
PYIA	3.5mm
PGIA	4.5mm
PBIA	5.7mm

	platform
TP3IA25	3.0mm (pack of 25)
PYIA25	3.5mm (pack of 25)
PGIA25	4.5mm (pack of 25)
PBIA25	5.7mm (pack of 25)



Use in the lab to represent the implant in the working cast or printed model. Not intended for use with tissue-level implants. Titanium Alloy.

Impression Components

Direct Coping Screws

PXDCSS

Direct Coping Screw, Shallow Hex

Packaged with all Direct Pick-up Copings, except 3.0mm platform, hexed, long (TP3DCL). Short hex depth for easy removal of impression material. May also be used to maintain the screw access hole during fabrication of a screw-retained provisional prostheses. Utilizes the .050" (1.25mm) Hex Driver. Hand-tighten or torque to 30 Ncm depending on application. Titanium Alloy.

PXDCS

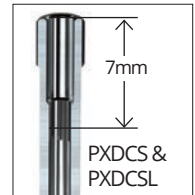
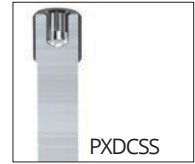
Direct Coping Screw

Includes a deeper hex that allows up to 7mm to be prepped without losing the hex engagement. May also be used in place of an abutment screw (PXAS) when extra length is needed, or to maintain the screw access hole during fabrication of a screw-retained provisional prostheses. Utilizes the .050" (1.25mm) Hex Driver. Hand-tighten or torque to 30 Ncm depending on application. Titanium Alloy.

PXDCL

Direct Coping Screw, Long

Packaged with 3.0mm platform, hexed, long (TP3DCL). PXDCL has the same deep hex as the PXDCS and is 5mm longer than the PXDCS and the PXDCSS. May also be used in place of an abutment screw (PXAS) when extra length is needed, or to maintain the screw access hole during fabrication of a screw-retained provisional prostheses. Utilizes the .050" (1.25mm) Hex Driver. Hand-tighten or torque to 30 Ncm depending on application. Titanium Alloy.



Ball-top Screw for Indirect (Closed Tray) Transfer

PXBT

Ball-top Screw for Indirect Transfer

Use with the 3inOne Abutment to form an impression coping for closed-tray, hexed-timed transfers. Hand-tighten. Titanium Alloy.



Abutment Screw

PXAS

Abutment Screw

PXAS25

Abutment Screw (pack of 25)

Fits all implant prosthetic platforms. Low profile screw head. Packaged with all two-piece abutments, except Hybrid and Angled Multi-unit abutments that are packaged with the PXMUAS. Utilizes the .050" (1.25mm) Hex Driver. Titanium Alloy. Final torque: 30 Ncm.



Snap Scan Body

8mm height	11mm height	platform
TP3SSB8	TP3SSB11	3.0mm
PYSSB8	PYSSB11	3.5mm
PGSSB8	PGSSB11	4.5mm
PBSSB8	PBSSB11	5.7mm

Use for traditional impressions or intra-oral scanning. PEEK (PolyEtherEtherKetone) and Titanium Alloy material.

Note: Prior to scanning, verify that the scan abutment is available in the library of the design software that will be used to design the abutment. Design libraries can be downloaded from www.vulcandental.com.

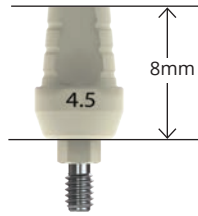


L02015-038 Custom (CAD/CAM) prosthetics overview module
L02015-044 Snap Scan Bodies Technique module

Custom & CAD/CAM Abutments

PEEK Scan Abutments

	platform
TP3PSA	3.0mm
PYPSA	3.5mm
PGPSA	4.5mm
PBPSA	5.7mm



Use for table top or intra-oral scanning. May also be used for fabrication of cement- or screw-retained provisional restorations (up to 30 days). Packaged with an abutment screw (PXAS). PEEK (PolyEtherEtherKetone) material. Final torque: 30Ncm.

Note: Prior to scanning, verify that the scan abutment is available in the library of the design software that will be used to design the abutment. Design libraries can be downloaded from www.vulcandental.com.



L02015-038 Custom (CAD/CAM) prosthetics overview module



Custom Zirconia & Titanium Abutments for BioHorizons Implant Systems

- Titanium & hybrid zirconia abutments
- Surgical guides
- Titanium Bars
- Full arch Zirconia
- Complete digital workflow solutions






WWW.VULCANDENTAL.COM • 844.484.2301

Custom & CAD/CAM Abutments

Hybrid Base Abutments

hexed	non-hexed	2mm collar	platform
TP3HYB	TP3HYBN	TP3HYB2	3.0mm
PYHYB	PYHYBN	PYHYB2	3.5mm
PGHYB	PGHYBN	PGHYB2	4.5mm
PBHYB	PBHYBN	PBHYB2	5.7mm

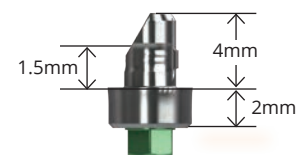
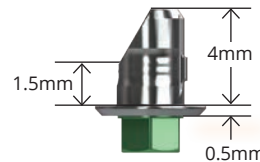
Notes



Hybrid Base Abutments packaged with PXMUAS (light blue) abutment screw.



Use hexed abutments for single-unit, screw-retained or cement-retained, CAD/CAM hybrid zirconia restorations. Use non-hexed abutments for multiple unit, screw-retained CAD/CAM hybrid zirconia restorations. Abutments have an internal thread to capture the abutment screw. Packaged with an abutment screw (PXMUAS). Titanium Alloy for strength. Final torque: 30Ncm.



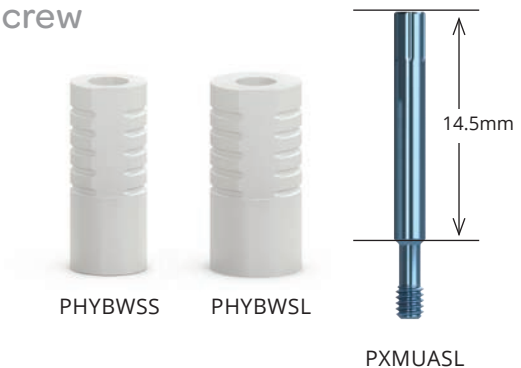
 [L02015-047 Hybrid Base Abutment Restorations](#)

Hybrid Abutment Waxing Sleeves & Block-out Screw

PHYBWSS	Waxing Sleeve, Small (pack of 3)
PHYBWSL	Waxing Sleeve, Large (pack of 3)

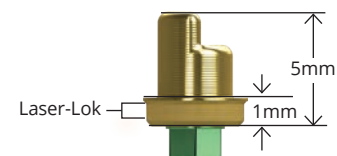
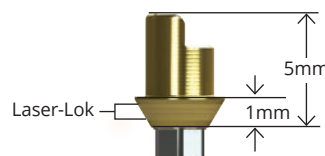
Use as a foundation to create a full contour wax-up for a lithium disilicate glass-ceramic pressed crown. Packaged in packs of three. Acetal resin (Delrin® or Pomalux®) sleeve.

PXMUASL	Custom Block-out Screw
----------------	-------------------------------



Laser-Lok Titanium Base Abutments

	platform
TP3TBL	3.0mm, Laser-Lok
PYTBL	3.5mm, Laser-Lok
PGTBL	4.5mm, Laser-Lok
PBTBL	5.7mm, Laser-Lok



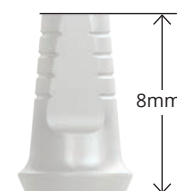
Use for anterior cases that require a durable, highly esthetic solution. For single-unit, screw-retained or cement-retained, CAD/CAM hybrid zirconia restorations. When a Laser-Lok component is used and temporarily removed, keep the component in sterile saline until reinserting into the site. Packaged with an abutment screw (PXAS). Titanium Alloy for strength. TiN coated for esthetics. Final torque: 30Ncm. Note: TP3TBL and TP3TB have 3.0mm platform connections, but the margins flare to 3.5mm.

 [L02015-046 Laser-Lok Titanium Base Abutment](#)

Laser-Lok Titanium Base Waxing Sleeves

PYTBWSI	3.0/3.5mm Waxing Sleeve, indexed (pack of 3)
PGTBWSI	4.5mm Waxing Sleeve, indexed (pack of 3)
PBTBWSI	5.7mm Waxing Sleeve, indexed (pack of 3)

Use as a foundation to create a full contour wax-up for a lithium disilicate glass-ceramic pressed crown. Packaged in packs of three. Acetal resin (Delrin® or Pomalux®) sleeve.



Custom & CAD/CAM Abutments

Precision Angled Drivers

PADM14	Precision Angled Driver, Manual, Long
PADH14	Precision Angled Driver, Handpiece, Long
PADS14	Precision Angled Driver, 4mm Square, Long
PADS19	Precision Angled Driver, 4mm Square, Extra Long

Use with PXPAS for angled screw access from 0° to 15°.



Precision Angled Screw

PXPAS	Precision Angled Screw
--------------	------------------------

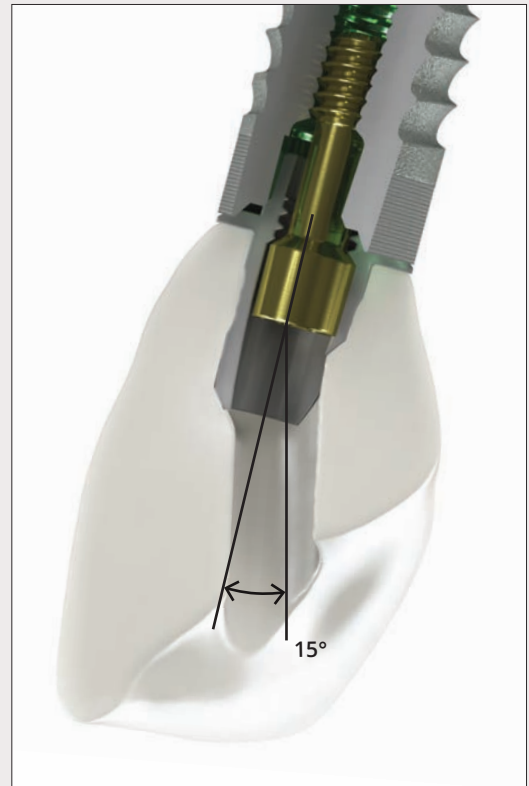
For use with the Hybrid Base Abutment and Precision Angled Driver. Titanium Alloy. Final torque: 30 Ncm.

Note: Precision angled screw and driver are only compatible with the hybrid base abutments in a digital work flow. Not compatible with Laser-Lok titanium base or 2mm tall hybrid base abutments.



The Precision Angled Driver and Screw can be used with the Hybrid Base abutment (hexed and non-hexed) to position the screw channel at an angle up to 15°. Digital planning is available for 3Shape and Exocad design software.

Download the digital library from www.vulcandental.com.



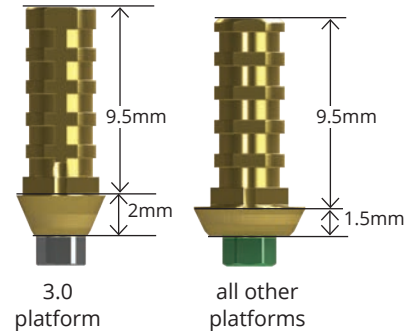
L02015-045 Precision angled screw & driver technique module

Custom & CAD/CAM Abutments

Laser-Lok Easy Ti Abutments

hexed	non-hexed	platform
TP3ETHL	TP3ETNL	3.0mm
PYETHL	PYETNL	3.5mm
PGETHL	PGETNL	4.5mm
PBETHL	PBETNL	5.7mm

Use hexed abutments for single-unit, screw-retained or cement-retained, custom abutment restorations. Use non-hexed abutments for multiple unit, screw-retained restorations. When a Laser-Lok component is used and temporarily removed for impression making or other restorative procedures, keep the removed Laser-Lok component in sterile saline until reinserting into the site. Packaged with an abutment screw (PXAS). Titanium Alloy for strength. TiN coated for esthetics. Final torque: 30Ncm.

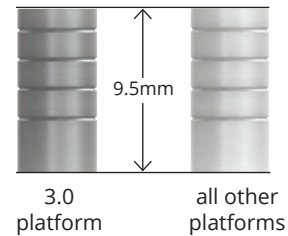


L02015-037 Screw-retained crown using the Laser-Lok Easy Ti abutment module

Easy Ti Abutment Sleeves

TP3ETS	Abutment Sleeve, 3.0mm, (pack of 3)
PXETS	Abutment Sleeve (pack of 3)

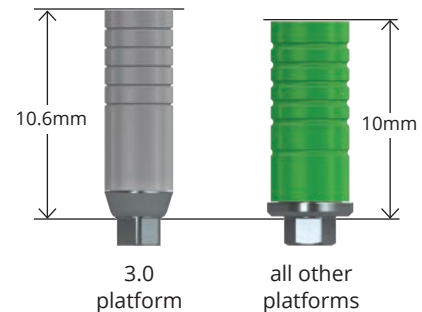
Use as a foundation to create a full contour wax-up for a lithium disilicate glass-ceramic pressed crown. Packaged in packs of three. Acetal resin (Delrin® or Pomalux®) sleeve.



Custom Castable (UCLA) Abutments

hexed	non-hexed	platform
TP3CAH	TP3CAN	3.0mm
PYCAH	PYCAN	3.5mm
PGCAH	PGCAN	4.5mm
PBCAH	PBCAN	5.7mm

Use hexed abutments for single-unit, screw-retained or cement-retained, custom abutment restorations. Use non-hexed abutments for multiple-unit, screw-retained restorations. Packaged with an abutment screw (PXAS). Gold Alloy base with acetal resin (Delrin® or Pomalux®) sleeve. Color-coded by platform. Final torque: 30Ncm.



L02015-026 Screw-retained single crowns using custom-cast abutments module

L02015-027 Screw-retained bridge using custom-cast abutments module

Single-use Polishing Protector

	platform
TP3SUPP	3.0mm
PYSUPP	3.5mm
PGSUPP	4.5mm
PBSUPP	5.7mm

Use to protect the abutment connection during preparation of the abutment. Abutment is secured using the standard abutment screw (PXAS).

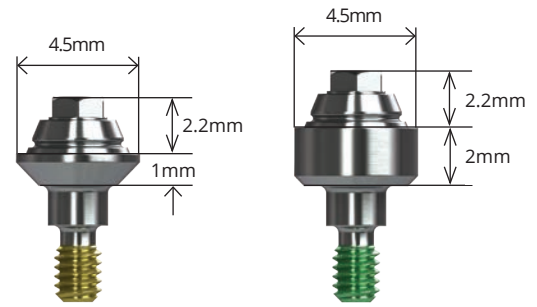


Now includes polishing protection analog

Multi-unit Abutments

Straight Multi-unit Abutments

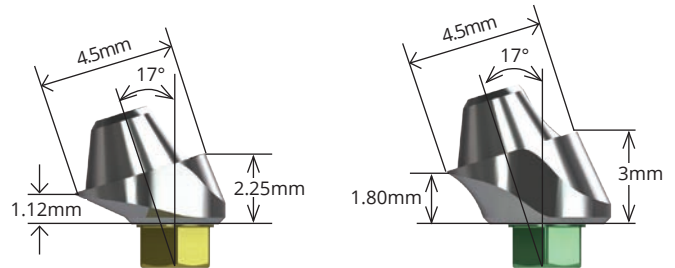
1mm collar	2mm collar	3mm collar	4mm collar	5mm collar	platform
TP3MU1	TP3MU2	TP3MU3	-	-	3.0mm
PYMU1	PYMU2	PYMU3	PYMU4	PYMU5	3.5mm
PGMU1	PGMU2	PGMU3	PGMU4	PGMU5	4.5mm
PBMU1	PBMU2	PBMU3	-	-	5.7mm



Straight Multi-unit abutments may be used for multiple-unit restorations including: screw-retained restorations at the abutment level, cast alloy bars for overdentures and fixed/detachable (hybrid) restorations. Comes with a cover cap (PXMUCC). Final torque: 30 Ncm using a Multi-unit Hex Adapter. Titanium alloy.

17° Angled Multi-unit Abutments

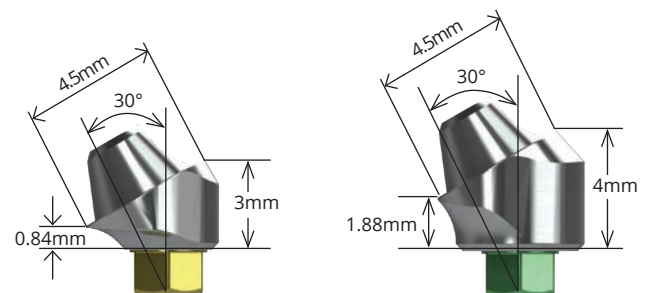
2.25mm collar	3mm collar	4mm collar	platform
TP3MU172	TP3MU173	-	3.0mm
PYMU172	PYMU173	PYMU174	3.5mm
PGMU172	PGMU173	PGMU174	4.5mm
PBMU172	PBMU173	-	5.7mm



17° Angled Multi-unit abutments may be used to angle-correct divergent implants. Use for multiple-unit restorations including: screw-retained restorations at the abutment level, cast alloy bars for overdentures and fixed/detachable (hybrid) restorations. Comes with a cover cap (PXMUCC) and abutment screw (PXMUAS). Final torque: 30 Ncm. Titanium alloy. Conveniently deliver abutment one-handed using an .050 hex or Unigrip™ driver or two-handed using an angled Multi-unit carrier (MUCA).

30° Angled Multi-unit Abutments

3mm collar	4mm collar	5mm collar	platform
TP3MU303	TP3MU304	-	3.0mm
PYMU303	PYMU304	PYMU305	3.5mm
PGMU303	PGMU304	PGMU305	4.5mm
PBMU303	PBMU304	-	5.7mm



30° Angled Multi-unit abutments may be used to angle-correct divergent implants. Use for multiple-unit restorations including: screw-retained restorations at the abutment level, cast alloy bars for overdentures and fixed/detachable (hybrid) restorations. Comes with a cover cap (PXMUCC) and abutment screw (PXMUAS). Final torque: 30 Ncm. Titanium alloy. Conveniently deliver abutment one-handed using an .050 hex or Unigrip™ driver or two-handed using an angled Multi-unit carrier (MUCA).



L02015-028 Multi-unit abutment hybrid or fixed-detachable-screw-retained restoration module

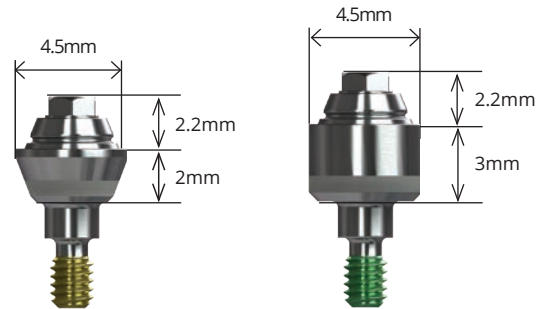
L02015-029 Multi-unit abutment bar overdenture - screw-retained restoration module

L02015-031 Correcting a non-passive framework module

Multi-unit Abutments & Components

Laser-Lok Straight Multi-unit Abutments

2mm collar	3mm collar	4mm collar	platform
TP3MU2L	TP3MU3L	-	3.0mm
PYMU2L	PYMU3L	PYMU4L	3.5mm
PGMU2L	PGMU3L	PGMU4L	4.5mm



Laser-Lok Straight Multi-unit abutments may be used for multiple-unit restorations including: screw-retained restorations at the abutment level, cast alloy bars for overdentures and fixed/detachable (hybrid) restorations. When a Laser-Lok component is used and temporarily removed, keep the removed Laser-Lok component in sterile saline until reinserting into the site. Comes with a cover cap (PXMUCC). Final torque: 30 Ncm using a Multi-unit Hex Adapter. Titanium alloy.

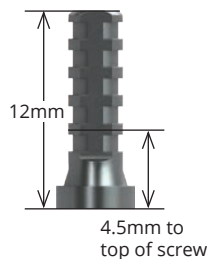
 L02015-003 Handling of Laser-Lok abutments module

Multi-unit Copings

PXMUTC

Titanium

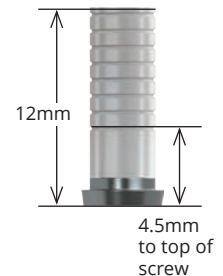
Use for fabricating acrylic temporary and final prostheses. May be trimmed for height. Packaged with prosthetic screw (PXMUPSR). Titanium alloy.



PXMUGC

Gold Custom Castable

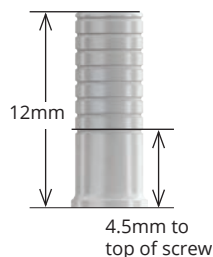
Use for fabricating metal-reinforced acrylic prostheses or bar overdentures. May be trimmed for height. Packaged with prosthetic screw (PXMUPSR). Coping has a gold alloy base with acetal resin (Delrin® or Pomalux®) sleeve.



PXMUPC

Plastic Custom Castable

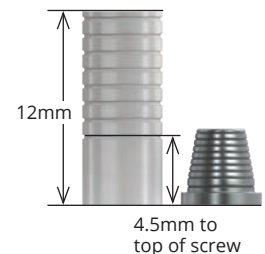
Use for fabricating metal-reinforced acrylic prostheses or bar overdentures. May be trimmed for height. Packaged with prosthetic screw (PXMUPSR). Acetal resin (Delrin® or Pomalux®)



PXMUPFC

Passive Fit

Use for fabricating metal-reinforced acrylic prostheses or bar overdentures, cemented using the passive-fit technique. May be trimmed for height. Packaged with regular and long prosthetic screws (PXMUPSR, PXMUPSL). Coping has a titanium alloy base with acetal resin (Delrin® or Pomalux®) sleeve.



Multi-unit Components

Multi-unit Locators[®]

LMUTC-2	Locator Multi-unit Abutment w/ Ti Collar (2 pack)
LMUTC-10	Locator Multi-unit Abutment w/ Ti Collar (10 pack)

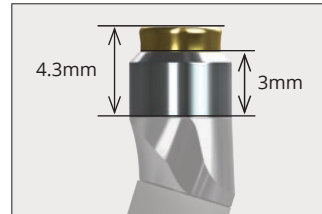
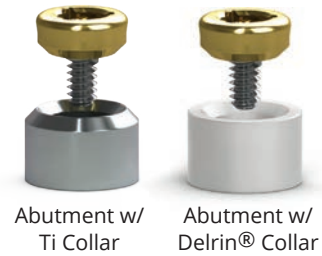
Use Male Processing Package for these collars (LMPP-2 or LMPP-10).

LMUDC-2	Locator Multi-unit Abutment w/ Delrin[®] Collar (2 pack)
LMUDC-10	Locator Multi-unit Abutment w/ Delrin[®] Collar (10 pack)

Use Locator Multi-unit Bar Processing Package listed below for these collars.

LMUBPP-2	Locator Multi-unit Bar Processing Package (2 pack)
LMUBPP-10	Locator Multi-unit Bar Processing Package (10 pack)

Locator attachments for multi-unit abutments have been designed as a free-standing option (LMUTC) for the angled multi-unit posterior sites and for castable bar-splinted applications (LMUDC). The Locator Multi-unit Bar Processing Package includes Denture Cap with Yellow Bar Processing Male, Dual Retentive Replacement Males: Clear, Pink, Blue, and Block-Out Spacer. Offered in 2 packs and 10 packs. For complete instructions, visit the Zest Anchors web site.



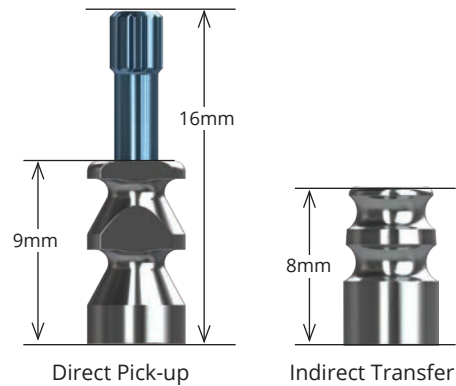
Multi-unit Impression Copings



PXMUDPC	Direct Pick-up Coping, Multi-unit
----------------	--

Use to make a direct pick-up impression (open-tray) at the abutment level. Titanium alloy. Hand tighten.

PXMUIC	Indirect Transfer Coping, Multi-unit
---------------	---

Use to make an indirect transfer (closed-tray) impression at the abutment level. Titanium alloy. Hand tighten.



-  **L02015-010** Multi-unit abutment impression technique - direct open tray module
-  **L02015-011** Multi-unit abutment impression technique - closed tray module
- L02015-030** Verification jig fabrication module

Multi-unit Scan Bodies

IO 11B-A	Elos Accurate Multi-unit Scan Body
-----------------	---

Use to scan and make a digital model of multi-unit analogs at the abutment level. Titanium alloy and PEEK. Hand tighten using C13485.

C13485	Elos Accurate Scan Body Driver
---------------	---------------------------------------

-  **L02015-048** Elos MU Scan body technique module

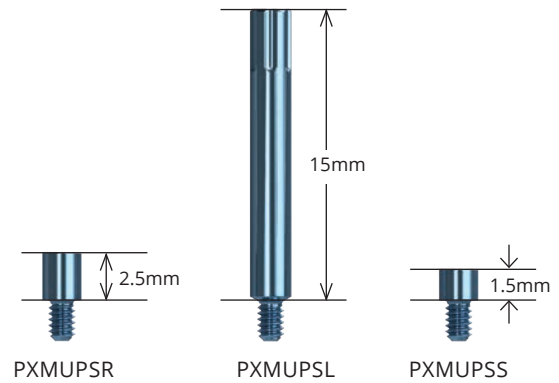


Multi-unit Components

Multi-unit Coping Screws

PXMUPSR	Prosthetic Screw, Multi-unit, Regular (pack of 5)
PXMUPSR25	Prosthetic Screw, Multi-unit, Regular (pack of 25)
PXMUPSL	Prosthetic Screw, Multi-unit, Long (pack of 5)
PXMUPSS	Prosthetic Screw, Multi-unit, Small (pack of 5)
PXMUPSS1	Prosthetic Screw, Multi-unit, Small

For attaching copings to the Multi-unit abutments. Hand-tighten or torque to 15 Ncm with .050" (1.25mm) Hex Driver or Unigrip™ screw driver, depending on application. Titanium alloy. Included with copings where indicated but can also be ordered separately.



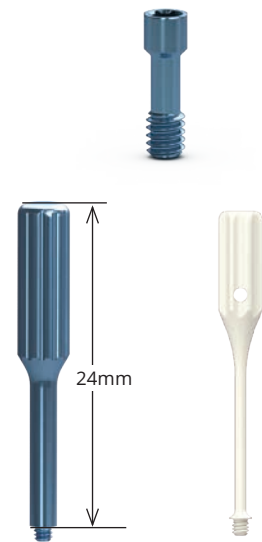
Multi-unit Angled Abutment Screw & Abutment Carrier

PXMUAS	Abutment Screw, Multi-unit
PXMUAS25	Abutment Screw, Multi-unit (pack of 25)

For angled Multi-unit abutments only. Final torque: 30 Ncm with .050" (1.25mm) Hex Driver or Unigrip™ screw driver. Titanium alloy. Included with abutment but can also be ordered separately.

MUCA	Angled Multi-unit Abutment Carrier (pack of 3)
BCMUCA†	Angled Multi-unit Abutment Carrier, Flexible (pack of 2)

Use to deliver angled Multi-unit abutments to the surgical site. Titanium alloy and PEEK.



Multi-unit Cover Caps

PXMUCC	Cover Cap, Multi-unit
PXMUCCC	Contoured Cover Cap, Multi-unit (pack of 2)

PXMUCC is packaged with all Multi-unit abutments. Hand-tighten with .050" (1.25mm) Hex Driver or Unigrip™ screw driver. Titanium alloy and PEEK.



Multi-unit Abutment Replicas & Protective Analog

PXMUAR	Abutment Replica, Multi-unit
PXMUAR25	Abutment Replica, Multi-unit (pack of 25)

Use at lab to represent the Multi-unit/Implant assembly in the working cast or printed model. Not for use with implant-level impressions. Titanium alloy.

PXMUPA	Protection Analog, Multi-unit (pack of 5)
---------------	---

Use to protect abutment-coping interface when polishing the metal framework. Titanium alloy.



† Available Q3 2021.

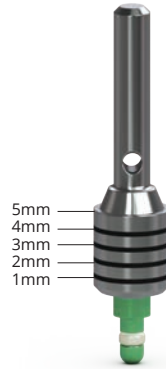
Multi-unit Components

Multi-unit Try-in Abutments

straight	platform
TRYTP3MU	3.0mm
TRYPYMU	3.5mm
TRYPGMU	4.5mm
TRYPBMU	5.7mm

Multi-unit Try-in Abutments may be used to measure tissue thickness and verify proper prosthetic seating prior to final abutment seating.

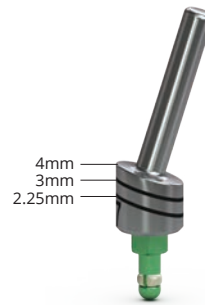
Each Try-in is laser marked from 1mm to 5mm to correspond with the Straight Multi-unit Abutment collar heights and can also be used as a measuring tool for OD Secure, Locator, Locator R-Tx and Ball abutment systems. Try-in is carried to the site by the handle and snaps into the implant.



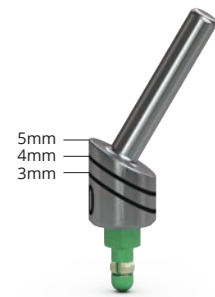
Straight abutment
Laser marking

17° Angled	30° Angled	platform
TRYTP3MU17	TRYTP3MU30	3.0mm
TRYPYMU17	TRYPYMU30	3.5mm
TRYPGMU17	TRYPGMU30	4.5mm
TRYPBMU17	TRYPBMU30	5.7mm

Each Try-in is laser marked to correspond with the Angled Multi-unit Abutment collar heights. Try-in is carried to the site by the handle and snaps into the implant.



17°Angled
Abutment Laser
marking



30°Angled
Abutment Laser
marking

Multi-unit Hex Adapters for Straight Abutments

PXMUHAM

Manual Multi-unit Hex Adapter

Use to hand tighten straight Multi-unit abutments.

PXMUHAH

Handpiece Multi-unit Hex Adapter

Use to torque straight Multi-unit abutments. Driven by latch-type handpiece. Do not exceed 30 Ncm.

PXMUHAR

4mm Square Multi-unit Hex Adapter

Use to torque straight Multi-unit abutments. Driven by 4mm square drive handwrench, ratchet, or torque wrench. Do not exceed 30 Ncm.



Manual



Handpiece



4mm Square

Paralleling Pins

144-100	Straight Parallel Pins
144-200	20° Angled Parallel Pin
144-230	30° Angled Parallel Pin

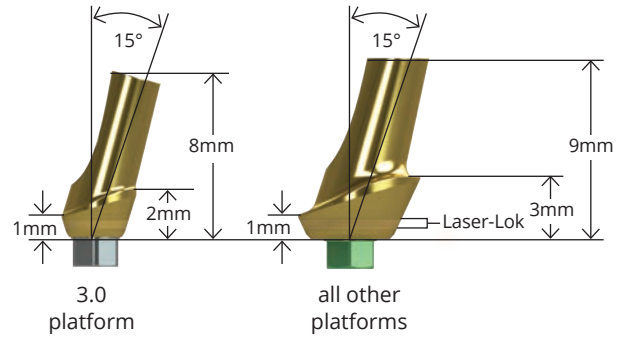
Use parallel pins to assess implant angulation and estimate which angled abutment is appropriate for the restoration.



Esthetic & Cementable Abutments

Angled Esthetic Abutments

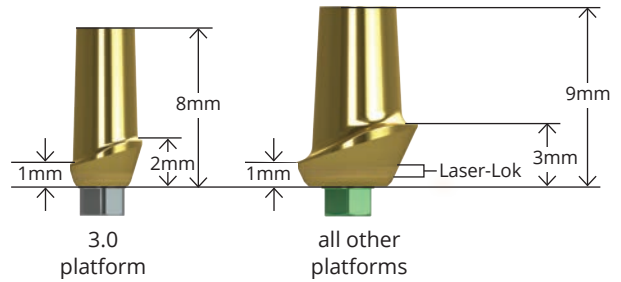
Laser-Lok	standard	platform
TP3AEAL	TP3AEA	3.0mm
PYAEAL	PYAEA	3.5mm
PGAEAL	PGAEA	4.5mm
PBAEAL	PBAEA	5.7mm



Use to create a cement-retained, single- or multiple-unit prostheses. When a Laser-Lok component is used and temporarily removed, keep the component in sterile saline until reinserting into the site. Packaged with an abutment screw (PXAS). Titanium Alloy. TiN coated for esthetics. Final torque: 30Ncm.

Straight Esthetic Abutments

Laser-Lok	standard	platform
TP3SEAL	TP3SEA	3.0mm
PYSEAL	PYSEA	3.5mm
PGSEAL	PGSEA	4.5mm
PBSEAL	PBSEA	5.7mm



Use to fabricate cement-retained, single- or multiple-unit prostheses. When a Laser-Lok component is used and temporarily removed, keep the component in sterile saline until reinserting into the site. Packaged with an abutment screw (PXAS). Titanium Alloy. TiN coated for esthetics. Final torque: 30Ncm.

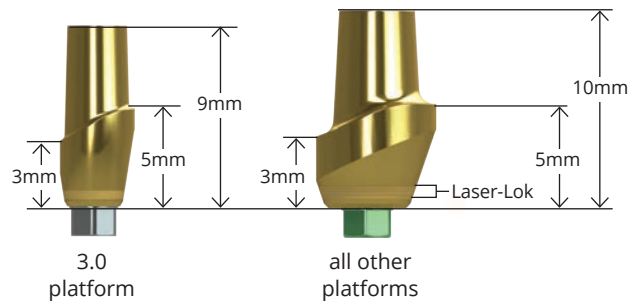


L02015-023 Cement-retained single crowns using cementable abutments module

L02015-025 Chairside modification of cement-retained abutments module

Straight Esthetic Abutments (3mm buccal height)

Laser-Lok	standard	platform
TP3SEA3L	TP3SEA3	3.0mm
TP3WSEA3L (wide)	TP3WSEA3 (wide)	3.5mm
PYSEA3L	PYSEA3	3.5mm
PGSEA3L	PGSEA3	4.5mm
PBSEA3L	PBSEA3	5.7mm



Use to fabricate cement-retained, single- or multiple-unit prostheses when a deep gingival sulcus is present. When a Laser-Lok component is used and temporarily removed, keep the component in sterile saline until reinserting into the site. Packaged with an abutment screw (PXAS). Titanium Alloy. TiN coated for esthetics. Final torque: 30Ncm.



L02015-023 Cement-retained single crowns using cementable abutments module

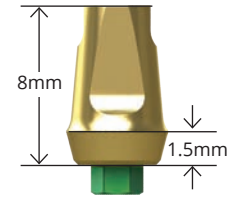
L02015-025 Chairside modification of cement-retained abutments module

Esthetic & Cementable Abutments

3inOne Abutments

PYREA	3.5mm Regular Emergence, 3inOne Abutment
PGREA	4.5mm Regular Emergence, 3inOne Abutment
PBREA	5.7mm Regular Emergence, 3inOne Abutment

Use to fabricate cement-retained, single- or multiple-unit prostheses. Also used with a Ball-top Screw for a closed-tray, hex-timed transfer. Packaged with an abutment screw (PXAS). Titanium Alloy. TiN coated for esthetics. Final torque: 30Ncm.

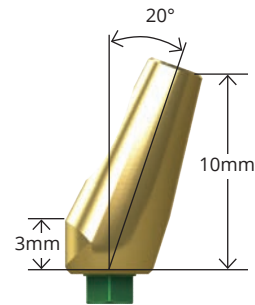


 **L02015-024** Cement-retained bridge using cementable abutments module

Angled Abutments

PYRAA	3.5mm Regular Emergence, Angled Abutment
PGRAA	4.5mm Regular Emergence, Angled Abutment
PBRAA	5.7mm Regular Emergence, Angled Abutment

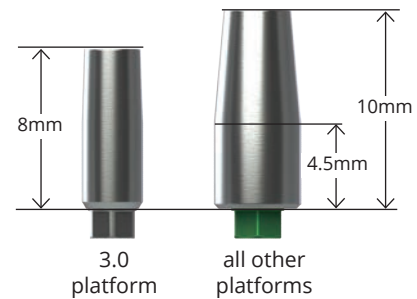
Use to fabricate cement-retained, single- or multiple-unit prostheses. Packaged with an abutment screw (PXAS). Titanium Alloy. TiN coated for esthetics. Final torque: 30Ncm.



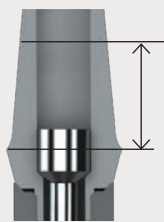
Narrow Emergence Abutments

TP3SA	3.0mm Straight Abutment
PYNEA	3.5mm Narrow Emergence Abutment
PGNEA	4.5mm Narrow Emergence Abutment
PBNEA	5.7mm Narrow Emergence Abutment

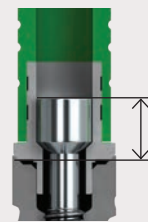
Use to fabricate cement-retained, single- or multiple-unit prostheses. Packaged with an abutment screw (PXAS). Titanium Alloy. Final torque: 30Ncm.



Notes

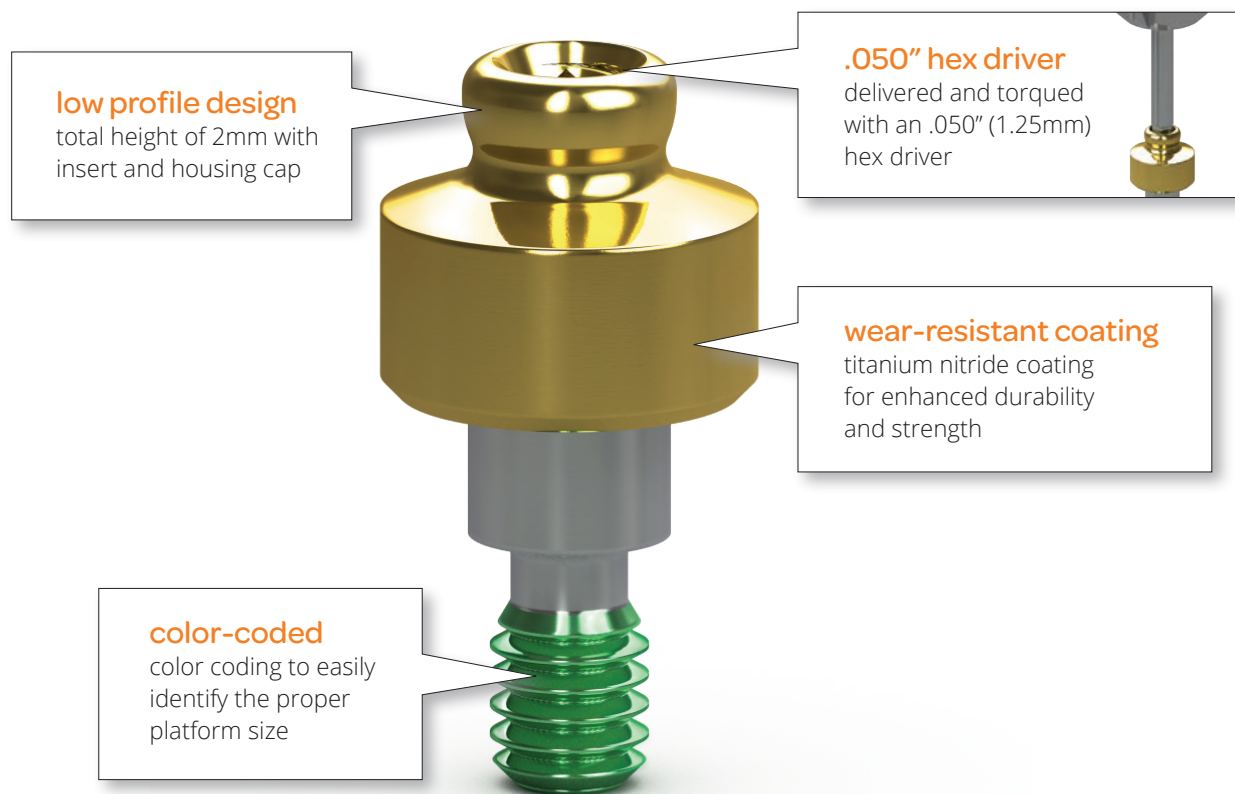


For cement-retained restorations, maintain at least 4mm of chimney height from the margin for optimal cement retention.

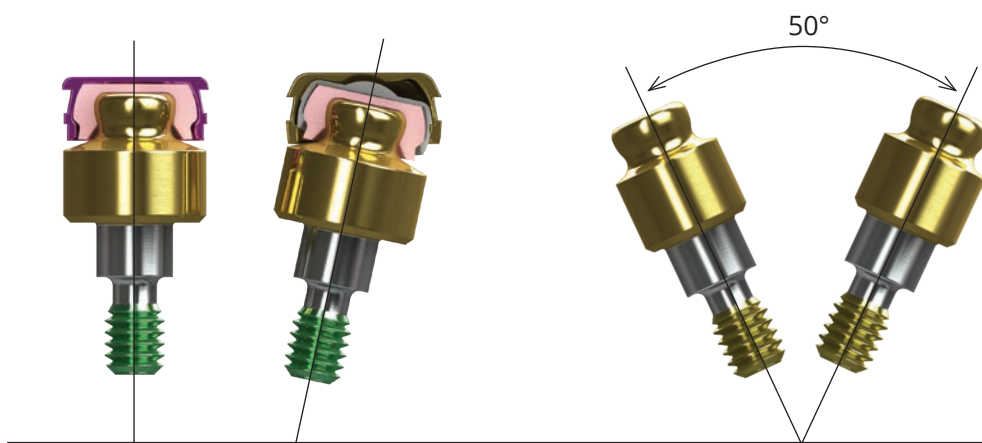


For screw-retained restorations, maintain at least 3mm from the abutment platform to avoid damaging the abutment screw.

The OD Secure abutment uses the industry's lowest profile connection to attach dentures and partial dentures to dental implants. The abutment is designed for easy delivery using an .050" hex driver and is color-coded to ensure that the abutment matches the implant platform every time.



With cuff heights ranging from 0.5mm to 6mm, the OD Secure provides attachment solutions for even the most challenging cases.



The housing cap that is included with each OD Secure abutment corrects up to 30° of divergence. The new Xtend housing cap corrects up to 50° of divergence and is compatible with the retention caps included in the OD Secure abutment kit.

OD Secure Abutments & Components

OD Secure Abutment System

The OD Secure comes packaged with the abutment, metal housing, four retentive inserts, a lab processing insert and a protection disk.

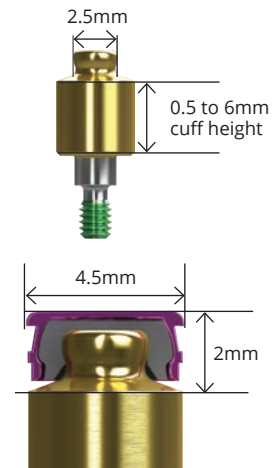


L02015-040 OD Secure impression technique module

L02015-041 OD Secure chairside pick-up using existing denture module



3.0mm platform	3.5mm platform	4.5mm platform	5.7mm platform	cuff height
TP3ODSK0	PYODSK0	PGODSK0	PBODSK0	0.5mm
TP3ODSK1	PYODSK1	PGODSK1	PBODSK1	1mm
TP3ODSK2	PYODSK2	PGODSK2	PBODSK2	2mm
TP3ODSK3	PYODSK3	PGODSK3	PBODSK3	3mm
TP3ODSK4	PYODSK4	PGODSK4	PBODSK4	4mm
TP3ODSK5	PYODSK5	PGODSK5	PBODSK5	5mm
TP3ODSK6	PYODSK6	PGODSK6	PBODSK6	6mm



OD Secure Abutment Components



ODS-XH

Xtend Housing Cap (2pack)

Xtend Housing Cap assembled with Lab Processing Insert and is used to correct up to 50° of divergence.



ODS-HCPM

Housing Cap (2pack)

New pink Housing Cap comes assembled with Lab Processing Insert.



ODS-XPM

Xtend Lab Processing Insert (4pack)



ODSRC-P

Retention Cap Insert (4pack)
Retention: 2.5lbs - Soft



ODSRC-V

Retention Cap Insert (4pack)
Retention: 6lbs - Hard



ODSRC-Y

Retention Cap Insert (4pack)
Retention: 1.5lbs - Extra Soft



ODSRC-C

Retention Cap Insert (4pack)
Retention: 4lbs - Medium



ODS-CAK

Cap Assortment Kit
(2 pack)



ODS-PM

Lab Processing Insert (4pack)



ODS-BS

Block-out Spacer (4pack)

ODSA

OD Secure Analog (2pack)



ODSIC

Impression Coping (2pack)



ODSCM

Castable Male (2pack)



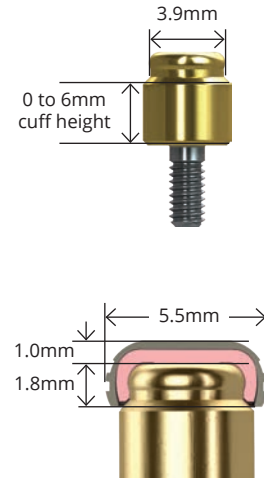
ODSCT

Cap Insert/Extractor Tool

Locator Abutments & Components

Locator Abutments

3.0mm platform	3.5mm platform	4.5mm platform	5.7mm platform	cuff height
-	PYLA0	PGLA0	-	0mm
TP3LA1	PYLA1	PGLA1	PBLA1	1mm
TP3LA2	PYLA2	PGLA2 (2.5mm)	PBLA2	2mm
TP3LA3	PYLA3	PGLA3 (3.5mm)	PBLA3	3mm
TP3LA4	PYLA4	PGLA4 (4.5mm)	PBLA4	4mm
TP3LA5	PYLA5	PGLA5 (5.5mm)	PBLA5	5mm
TP3LA6	PYLA6	PGLA6 (6.5mm)	PBLA6	6mm



Locator Implant Attachments are designed for use with overdentures or partial dentures retained in whole or in part by dental implants in the mandible or maxilla. Order by cuff height to match the height of the gingival tissue. The abutment will extend above the tissue by 1.8mm to allow the Locator Male to seat completely. Order one Locator Male Processing Set for each Locator Abutment (sold in packs of 2 or 10). Can also be used with tissue-level implants. Titanium Alloy.

The Male Processing Package provides 3 choices of retention. The Replacement Males (clear, pink and blue) are used to restore implants with up to 10° of divergence (20° between implants). The Extended Range Replacement Males (green and red) accommodate divergences from 10° and 20° (40° between implants), and may be purchased separately.



L02015-013 Locator® abutment impression technique module

L02015-032 Locator® abutment overdenture: chairside pickup using existing denture

Locator Components

LCT

Core Tool

Multi-purpose tool serves as hand driver for seating Locator Abutments onto the implants, seating tool for nylon male inserts and insert removal tool.

Note: now packaged with one Locator Abutment Holder Sleeve.



LAHS

Locator Abutment Holder Sleeve (4 pack)

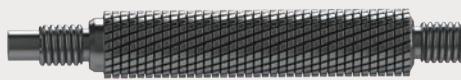
Use to retain and deliver the Locator Abutment using the driver portion of the Core Tool.



Locator core tool instructions



Male retention insert removal tool
For removing the male retention inserts from the metal housing



Male retention insert tool
For placing the male retention inserts into the metal housing



Hand driver
For hand tightening the Locator abutment



Locator abutment holder
For retaining and delivering the Locator abutment using the hand driver portion of the core tool.

Locator Components



LMPP-2 Male Processing Package (2 pack)

Includes: (2) Denture Caps assembled with Black Processing Males; (2) White Block-out Spacers; (2) Clear, (2) Pink and (2) Blue Nylon Males.

LMPP-10 Male Processing Package (10 pack)

Includes: (10) Denture Caps assembled with Black Processing Males; (10) White Block-out Spacers; (10) Clear, (10) Pink and (10) Blue Nylon Males.



LMPPER-2 Male Processing Package, Extended Range (2 pack)

Includes: (2) Denture Caps assembled with Black Processing Males; (2) White Block-out Spacers; (2) Green, (2) Orange and (2) Red Nylon Males.

LMPPER-10 Male Processing Package, Extended Range (10 pack)

Includes: (10) Denture Caps assembled with Black Processing Males; (10) White Block-out Spacers; (10) Green, (10) Orange and (10) Red Nylon Males.



LRM-G Extended Range Replacement Male (green)

Retention: 4lbs, 4 pack



LRM-O Extended Range Replacement Male (orange)

Retention: 2lbs, 4 pack



LRM-R Extended Range Retention Replacement Male (red)

Retention: 1lb, 4 pack



LRM-Z Extended Range Replacement Male (gray)

Retention: 0lb, 4 pack



LRM-C Replacement Male (clear)

Retention: 5lbs, 4 pack



LRM-P Replacement Male (pink)

Retention: 3lbs, 4 pack



LRM-B Replacement Male (blue)

Retention: 1.5lb, 4 pack



LBPRM Black Processing Replacement Male



LFA-4MM Female Analog 4mm (4 pack)

Use for 3.0, 3.5 and 4.5 platforms



LFA-5MM Female Analog 5mm (4 pack)

Use for 5.7 platform



LSDT-15MM Square Drive Tool (15mm length)

Use with a torque wrench to seat Locator Abutments.



LSDT-21MM Square Drive Tool (21mm length)

Use with a torque wrench to seat Locator Abutments.



LIC Impression Coping (4 pack)



LPP Parallel Post (4 pack)



LAMG Angle Measurement Guide

Locator R-Tx Abutments & Components

Locator R-Tx Abutments

Locator R-Tx is a better, simpler and stronger system that relies on the same restorative techniques as the original Locator. Now available with the housing cap, spacer and retentive inserts for a convenient all-in-one package.

Each Assembly includes: (1) Abutment, (1) Denture Attachment Housing with Black Processing Insert, (4) Nylon Retention Inserts, and (1) Block-out Spacer.



3.0mm platform	3.5mm platform	4.5mm platform	5.7mm platform	cuff height
-	PYLRTX0	PGLRTX0	-	0.5mm
TP3LRTX1	PYLRTX1	PGLRTX1	PBLRTX1	1mm
TP3LRTX2	PYLRTX2	PGLRTX2	PBLRTX2	2mm
TP3LRTX3	PYLRTX3	PGLRTX3	PBLRTX3	3mm
TP3LRTX4	PYLRTX4	PGLRTX4	PBLRTX4	4mm
TP3LRTX5	PYLRTX5	PGLRTX5	PBLRTX5	5mm
TP3LRTX6	PYLRTX6	PGLRTX6	PBLRTX6	6mm



Locator R-Tx Components



LRTX-GY

Zero Retention Insert Replacement (4pack)



LRTX-B

Low Retention Insert Replacement (4pack)



LRTX-P

Medium Retention Insert Replacement (4pack)



LRTX-C

High Retention Insert Replacement (4pack)



LRTX-BS

Block-Out Spacer Replacement (20pack)



LRTX-DC

Denture Attachment Processing Assembly (4pack)



LRTX-PM

Processing Insert Replacement (4pack)



LRTX-PS

Processing Spacer Replacement (4pack)



LRTX-IC

Impression Coping (4pack)



LRTX-A3

3.5mm Abutment Analog (4pack)



LRTX-A4

4mm Abutment Analog (4pack)



LRTX-A5

5mm Abutment Analog (4pack)



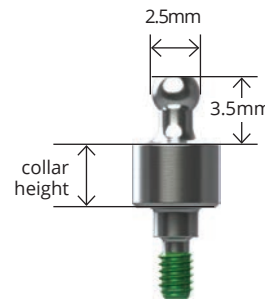
LRTX-TL

Locator R-Tx Insertion/Removal Tool

Ball Abutments & Components

Ball Abutments

1mm collar	3mm collar	5mm collar	platform
TP3BA1	TP3BA3	TP3BA5	3.0mm
PYBA1	PYBA3	PYBA5	3.5mm
PGBA1	PGBA3	PGBA5	4.5mm
PBBA1	PBBA3	-	5.7mm

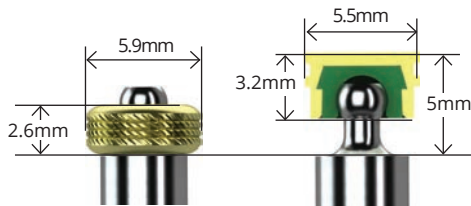


Use for retention of tissue-supported overdentures. Ball Abutments may be used for indirect transfer impressions. Ball Abutment Analogs on facing page are used for producing a working cast. Can also be used with tissue-level implants. Titanium Alloy.



L02015-014 Ball abutment impression technique

L02015-033 Ball abutment overdenture: chairside pickup using existing denture



Sizing comparison of O-ring Attachment and Ball Attachment

O-ring Attachment Set

260-100

O-ring Attachment

Standard O-ring attachment for processing into denture. Includes: (1) O-ring encapsulator, (2) Processing O-rings and (2) Clinical O-rings. Recommended for relatively parallel implants (5° of divergence or 10° between implants).



O-ring Individual Components

260-300

O-ring Encapsulator

Female receptacle processed into denture. Titanium. 2 per package.



260-220

Processing O-ring

Use for lab processing applications. Buna. 12 per package.



260-210

Clinical O-ring

Use for clinical applications. Silicone. 12 per package.



Ball Abutment Components

Ball Attachment Set

BCAS

Ball Attachment Set



Includes: (1) Titanium Housing, (3) Female Nylon Inserts - white (more retention), pink (less retention), black (lab processing) and (1) Protective Disk (BCPD, protects tissue during impression making or denture pick-up)

The Ball Attachment system offers several advantages over traditional O-ring attachments:

- Greater abutment angulation (14° of divergence or 28° between implants)
- 0.4mm of less mesial/distal/buccal/lingual space
- Four different levels of retention instead of one

Ball Abutment Components



BCAHT

Attachment Housings - Titanium
For Resin pickup or Soldering.
2 per package.



BCIY

Yellow Nylon Insert
Clinical use. 2 per package.
Very elastic retention: 500-550g.



BCIB

Black Nylon Insert
Lab Processing and Chair-side
Denture Pick-up. 2 per package.



BCIP

Pink Nylon Insert
Clinical use. 2 per package.
Elastic retention: 800-950g.



BCIG

Green Nylon Insert
Clinical use. 2 per package.
Extremely elastic retention.



BCIW

White Nylon Insert
Clinical use. 2 per package. Slightly
elastic retention: 1200-1300g.



BCDR

Directional Rings
Use for obtaining parallelism.
0°, 7° and 14° rings. Set of 3.



BCIST

Insert Seating Tool
Use to seat nylon inserts in
attachment housings.



BCR

Reamer
Use to adjust retention of
nylon inserts.

Ball Abutment Analogs



TP3BAA
PYGBAA
PBBAA

3.0mm Ball Abutment Analog
3.5/4.5mm Ball Abutment Analog
5.7mm Ball Abutment Analog

Use at lab to represent the Ball Abutment/Implant assembly in the working cast. Only use in conjunction with Ball Abutments. Titanium Alloy.

Prosthetic Instrumentation

Prosthetic Kit



PROS3000 Enhanced Prosthetic Instrumentation Kit

Includes:

- .050 (1.25mm) Manual Hex Driver
- .050 (1.25mm) Manual Hex Driver, Long
- .050 (1.25mm) Handpiece Hex Driver
- .050 (1.25mm) Handpiece Hex Driver, Long
- .050 (1.25mm) 4mm Square Hex Driver
- .050 (1.25mm) 4mm Square Hex Driver, Long
- Hand Wrench
- 4mm Square Drive Extender
- 4mm Square Multi-unit Hex Adapter
- 12 Try-in Abutment Slots
- 8 Optional Instrument Slots
- Space for Torque Wrenches & AS123 Hand Unit

Multi-unit Try-in Abutments, 300-100 and ATW are sold separately.



PROS2500 Prosthetic Instrumentation Tray (not shown)

Tray without instruments (included with PROS3000)

PROS1500[†] Prosthetic Tray, Small



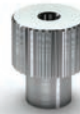
300-100[‡] AS123 Hand Unit

Provides improved vision and easy access to prosthetic components in posterior regions of the mouth. Hand Wrench and Drivers are sold separately.



300-206[‡] 4mm Square Drive Extender

Includes PEEK C-ring for durable retention in Ratchet. Cannot be used with bone taps.



300-400[‡] Hand Wrench

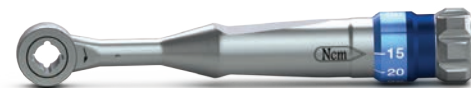
Use on drive end of AS123 Hand Unit. Also fits individual Hex Drivers/Adapters and Bone Taps.

Torque Wrenches



BIOTORQ BioHorizons Adjustable Torque Wrench

Adjustable torque wrench designed to attach to all 4mm drivers from BioHorizons. Supplied with a dual direction mechanism that allows for insertion and removal functions. When the desired torque is reached (a choice of 10Ncm to 30Ncm) the torque wrench snaps to avoid over torquing.



ATW ITL Precise Adjustable Torque Wrench

Place both implants and abutments with 9 distinct torque settings (15, 20, 25, 30, 35, 40, 45, 50 and 60 Ncm). A simple twist of the handle locks in precision-engineered torque values and guarantees accuracy and repeatability.



C12374 Elos Adjustable Torque Wrench

Lightweight titanium design is easy to use as an adjustable torque wrench or a ratchet. Quickly disassembles for cleaning. No calibration required.



C8521 Elos Replacement Bit, 4mm Square Adapter

C8381 Elos Replacement Bit, Handpiece

AGYR-15500 Torque Control 15500

Ergonomic design is the ideal solution for access to screws placed in the posterior. The 7 predetermined torque values (10, 15, 20, 25, 30, 32 and 35 Ncm) make it a tool of extreme precision.

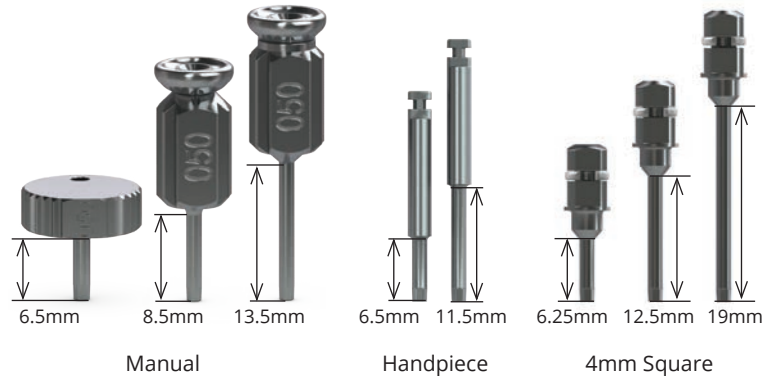
[†] Available Q2 2021

[‡] Instrument o-rings & c-rings wear out over time. If an instrument is no longer held securely by its associated driver, order a replacement ring through Customer Care.

Prosthetic Instrumentation

.050 (1.25mm) Hex Drivers

135-251	Manual Hex Driver, Short
135-351	Manual Hex Driver
135-451	Manual Hex Driver, Long
134-350	Handpiece Hex Driver
134-450	Handpiece Hex Driver, Long
300-350†	4mm Square Hex Driver
300-351†	4mm Square Hex Driver, Long
300-354†	4mm Square Hex Driver, Extra Long



For installation and removal of cover caps, prosthetic and abutment screws.

Abutment Prepping Handles

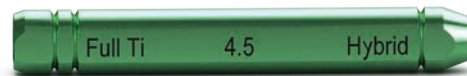
TP3AH	3.0mm platform Analog Handle
PYGAH	3.5/4.5mm platform Analog Handle
PBAH	5.7mm platform Analog Handle



Use to comfortably hold abutments for chairside or laboratory preparation. Abutments are secured to the handle with a standard abutment screw (PXAS). Comes in three sizes: 3.0, 3.5/4.5 and 5.7mm.

Laser-Lok Protective Sleeves

TP3TBLS	3.0mm platform
PYTBLS	3.5mm platform
PGTBLS	4.5mm platform
PBTBLS	5.7mm platform



Use to comfortably hold abutments for chairside or laboratory preparation. Abutments are secured to the handle with a standard abutment screw (PXAS). Comes in three sizes: 3.0, 3.5/4.5 and 5.7mm.

Laser-Lok Tissue Groomer

TP3TG	3.0mm platform
PYTG	3.5mm platform
PGTG	4.5mm platform
PBTG	5.7mm platform



Use to lightly abrade soft tissue prior to placement of a Laser-Lok abutment, if a Laser-Lok abutment has not been used before.

 [L02015-003 Handling of Laser-Lok abutment](#)

Clean-out Tools

PXCT†	Implant Clean-out Tap Tool
-------	----------------------------

Use PXCT to re-thread internal connection implants (Tapered Internal, Internal, Laser-Lok 3.0, Tapered Tissue Level and Single-stage), and 122-170 to re-thread Abutment for Screw abutments where the internal threads have become damaged. Requires a standard surgical Ratchet (130-000) or Hand Wrench (300-400) as a drive mechanism.



† Instrument o-rings & c-rings wear out over time. If an instrument is no longer held securely by its associated driver, order a replacement ring through Customer Care.

Prosthetic Platform Identification

Prosthetic Platform Color Coding

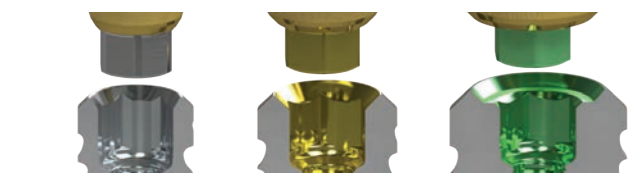
BioHorizons prosthetic components are color-coded to match BioHorizons implant prosthetic platforms. To ensure compatibility:
 (1) determine the BioHorizons implant system from the patient's record (e.g. Tapered, Tapered Plus, Tapered Tissue Level)
 (2) verify that the prosthetic component is intended for that system
 (3) match the restorative component color with the implant prosthetic platform.

Tapered Pro Implant System



prosthetic connection	3.0mm	3.5mm	3.5mm	4.5mm
body diameter	3.8mm	4.2mm	4.6mm	5.2mm

Tapered Internal Plus Implant System



prosthetic connection	3.0mm	3.5mm	4.5mm
body diameter	3.8mm	4.6mm	5.8mm

Tapered Internal Implant System



prosthetic connection	3.0mm	3.0mm	3.5mm	4.5mm	5.7mm
body diameter	3.0mm	3.4mm	3.8mm	4.6mm	5.8mm

Tapered Tissue Level Implant System



prosthetic connection	3.5mm	3.5mm	4.5mm	5.7mm
body diameter	3.0mm	3.8mm	4.6mm	5.8mm

Note: BioHorizons Internal prosthetic components are indicated for use with Zimmer Screw-Vent® and Tapered Screw-Vent® implant systems.

Support Materials & References

Restorative Support Materials

L02015	Prosthetic Technique Manual (Interactive PDF)
ML0161	Tapered Family Prosthetic Reference
ML0206	Impression Technique Guide (PDF only)
L01021	TeethXpress Technique Guide
EP-TXMOD	TeethXpress Patient Education Model
ML0103	Dental Implants - Patient Education Brochure, 50 pk
ML0131	Dental Implants - Patient Education Flipbook
ML0114	Overdenture Patient Education Brochure, 50 pk
ML0615	Laser-Lok Abutment Study by Myron Nevins, DDS (PDF only)
ML0159	Connective Tissue Attachment to Laser - Microgrooved Abutments
ML0160	Reattachment of Connective Tissue Fibers to a Laser - Microgrooved Abutment Surface
SPMP14235	Electronic Dental Implant Patient Record (PDF only)

References

1. Human histologic evidence of a connective tissue attachment to a dental implant. M Nevins, ML Nevins, M Camelo, JL Boyesen, DM Kim. *International Journal of Periodontics & Restorative Dentistry*. Vol. 28, No. 2, 2008.
2. The effects of laser microtextured collars upon crestal bone levels of dental implants. S Weiner, J Simon, DS Ehrenberg, B Zweig, JL Ricci. *Implant Dentistry*. Volume 17, Number 2, 2008. p. 217-228.
3. Influence of a microgrooved collar design on soft and hard tissue healing of immediate implantation in fresh extraction sites in dogs. SY Shin, DH Han. *Clin. Oral Impl. Res.* 21, 2010; 804-814.
4. Maintaining inter-implant crestal bone height via a combined platform-switched, Laser-Lok® implant/abutment system: A proof-of-principle canine study. M Nevins, ML Nevins, L Gobbato, HJ Lee, CW Wang, DM Kim. *Int J Periodontics Restorative Dent*. Volume 33, Number 3, 2013.
5. Histologic evidence of a connective tissue attachment to laser microgrooved abutments: A canine study. M Nevins, DM Kim, SH Jun, K Guze, P Schupbach, ML Nevins. *International Journal of Periodontics & Restorative Dentistry*. Vol. 30, No. 3, 2010.
6. Histologic evidence of connective tissue integration on laser microgrooved abutments in humans. NC Geurs, PJ Vassilopoulos, MS Reddy. *Clinical Advances in Periodontics*. Vol. 1, No. 1, May 2011.
7. Connective tissue attachment to laser microgrooved abutments: A human histologic case report. M Nevins, M Camelo, ML Nevins, P Schupbach, DM Kim. *Int J Periodontics Restorative Dent*. Volume 32, Number 4, 2012. p. 384-392.
8. Reattachment of the connective tissue fibers to the laser microgrooved abutment surface. M Nevins, M Camelo, ML Nevins, P Schupbach, DM Kim. *Int J Periodontics Restorative Dent*. Volume 32, Number 4, 2012. e131-134.
9. The impact of dis-/reconnection of laser microgrooved and machined implant abutments on soft- and hard-tissue healing. Iglhaut G, Becker K, Golubovic V, Schliephake H, Mihatovic I. *Clin Oral Implants Res*. 2013 Apr;24(4):391-7.
10. Heat production by 3 implant drill systems after repeated drilling and sterilization. Chacon GE, Bower DL, Larsen PE, McGlumphy EA, Beck FM. *J Oral Maxillofac Surg*. 2006 Feb;64(2):265-9.

Ordering & Warranty Information

Territory Manager: _____

cell phone: _____

email and/or fax: _____

BioHorizons Lifetime Warranty on Implants and Prosthetics for Clinicians: All BioHorizons implants and prosthetic components include a Lifetime Warranty. BioHorizons implant or prosthetic components will be replaced if removal of that product is due to failure (excluding normal wear to overdenture attachments).

Additional Warranties: BioHorizons warranties surgical drills, taps and other surgical and restorative instruments.

(1) Surgical Drills and Taps: Surgical drills and taps include a warranty period of ninety (90) days from the date of initial invoice. Surgical instruments should be replaced when they become worn, dull, corroded or in any way compromised. Surgical drills should be replaced after 12 to 20 osteotomies.¹⁰

(2) Instruments: The BioHorizons manufactured instrument warranty extends for a period of one (1) year from the date of initial invoice. Instruments include drivers, implant site dilators and BioHorizons tools used in the placement or restoration of BioHorizons implants.

Return Policy: Product returns require a Return Authorization Form, which may be acquired by contacting Customer Care. The completed Return Authorization Form must be included with the returned product. For more information, please see the reverse side of the invoice that was shipped with the product.

Disclaimer of Liability: BioHorizons products may only be used in conjunction with the associated original components and instruments according to the Instructions for Use (IFU). Use of any non-BioHorizons products in conjunction with BioHorizons products will void any warranty or any other obligation, expressed or implied.

Treatment planning and clinical application of BioHorizons products are the responsibility of each individual clinician. BioHorizons strongly recommends completion of postgraduate dental implant education and adherence to the IFU that accompany each product. BioHorizons is not responsible for incidental or consequential damages or liability relating to use of our products alone or in combination with other products other than replacement or repair under our warranties.

Distributed Products: For information on the manufacturer's warranty of distributed products, please refer to their product packaging. Distributed products are subject to price change without notice.

Validity: Upon its release, this literature supersedes all previously published versions.

Availability: Not all products shown or described in this literature are available in all countries. BioHorizons continually strives to improve its products and therefore reserves the right to improve, modify, change specifications or discontinue products at any time.

Any images depicted in this literature are not to scale, nor are all products depicted. Product descriptions have been modified for presentation purposes. For complete product descriptions and additional information, visit store.biohorizons.com.

Direct Offices

BioHorizons USA
888-246-8338 or 205-967-7880

BioHorizons Canada
866-468-8338

BioHorizons Spain
+34 91 713 10 84

BioHorizons UK
+44 (0)1344 752560

BioHorizons Chile
+56 (2) 23619519

BioHorizons Italy
800-063-040

BioHorizons Mexico
800-953-0498

Distributors

For contact information in our 90 countries, visit biohorizons.com



shop online at
store.biohorizons.com

BioHorizons®, Laser-Lok®, MinerOss®, AutoTac®, Mem-Lok® and TeethXpress® are registered trademarks of BioHorizons. Unigrip™ is a trademark of Nobel Biocare AB. Zimmer® Dental ScrewVent® and Tapered ScrewVent® are registered trademarks of Zimmer, Inc. AlloDerm™, AlloDerm GBR™ and NovoMatrix™ are trademarks of LifeCell Corporation, an Allergan affiliate. Grafton® DBM is a registered trademark of Medtronic, Inc. Cytoplast® is a registered trademark of Osteogenics Biomedical, Inc. Puros Dermis is a registered trademark of Zimmer Biomet. Mucograft is a registered trademark of Ed. Geistlich Sogne Ag Fur Chemische Industrie. Symbios PerioDerm is a registered trademark of Dentsply Sirona. Hu-Friedy® is a registered trademark of Hu-Friedy Mfg. Co., LLC. Spiralock® is a registered trademark of Spiralock Corporation. Pomalux® is a registered trademark of Westlake Plastics Co. Locator® is a registered trademark of Zest Anchors, Inc. Delrin® is a registered trademark of E.I. du Pont de Nemours and Company. Bio-Gide® is a registered trademark of Edward Geistlich Sohne AG Fur Chemische Industrie. BioMend® is a registered trademark of Zimmer Biomet Dental. IntraSpin®, L-PRF® and Xpression® are trademarks of Intra-Lock® International Inc. Not all products shown or described in this literature are available in all countries. We are proud to be registered to ISO 13485:2016, the international quality management system standard for medical devices, which supports and maintains our product licences with Health Canada and in other markets around the globe. Original language is English. ©BioHorizons. All Rights Reserved.



L02008



REV K APR 2021